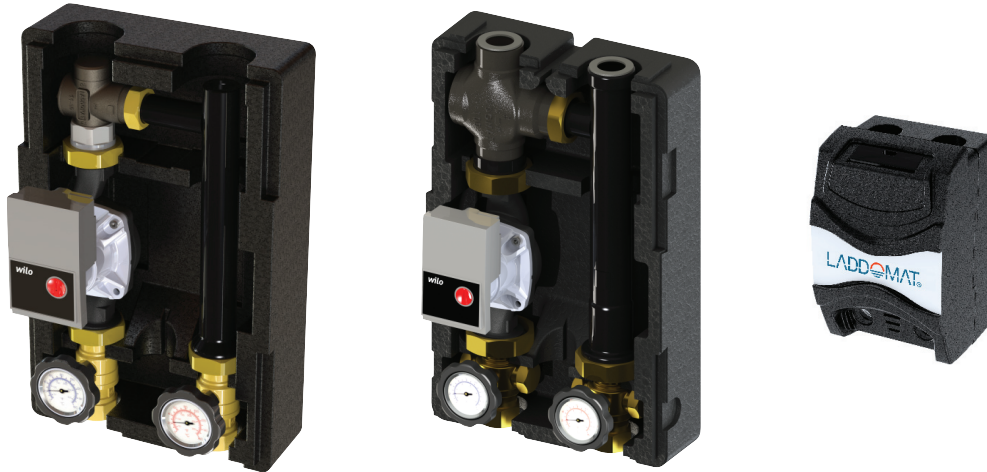


# LADDOMAT® 125

Thermal charging and anti-condensation group.



Laddomat 125 is a series of thermal charging groups for biofuel boilers, based on our well-known Laddomat 11 series.

- The charging groups have a capacity of up to 60 kW for DN25 and 95 kW for DN32.
- The charging groups raise the return temperature to the boiler, which protects the boiler from corrosion and extends its life.
- The integrated thermal valve increases the boiler's efficiency by rapidly ensuring that the correct operating temperature is reached.
- The accumulator tank is charged at a low flow in order to ensure that perfect separation is achieved.
- The highly efficient energy-saving pump, together with dense insulation, provides an energy-efficient charging group.
- Easy installation through standardised installation dimensions and connections.
- Wall bracket included as standard.

## Technical data DN25

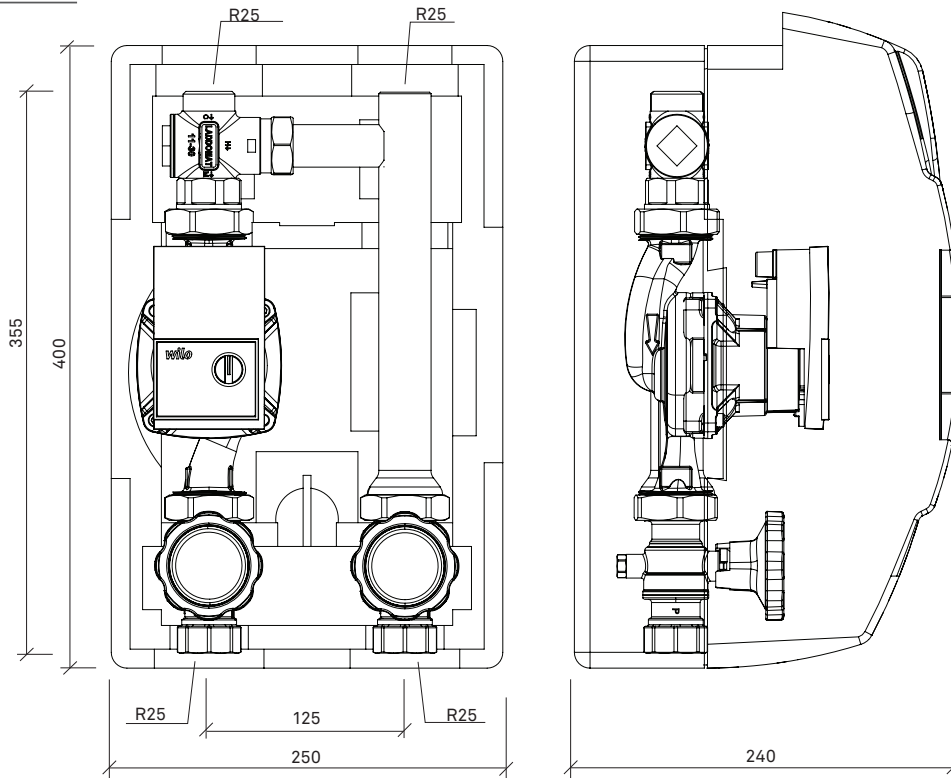
Thermal valve:	<b>Laddomat 11-30</b>
Thermostat cartridge:	45°, 53°, 57°, 63°, 66°, 72°, 78°, 83° or 87°C
Pump:	6 m, 180 mm
Connections:	R25
Max boiler output:	<b>60 kW</b>

## Technical data DN32

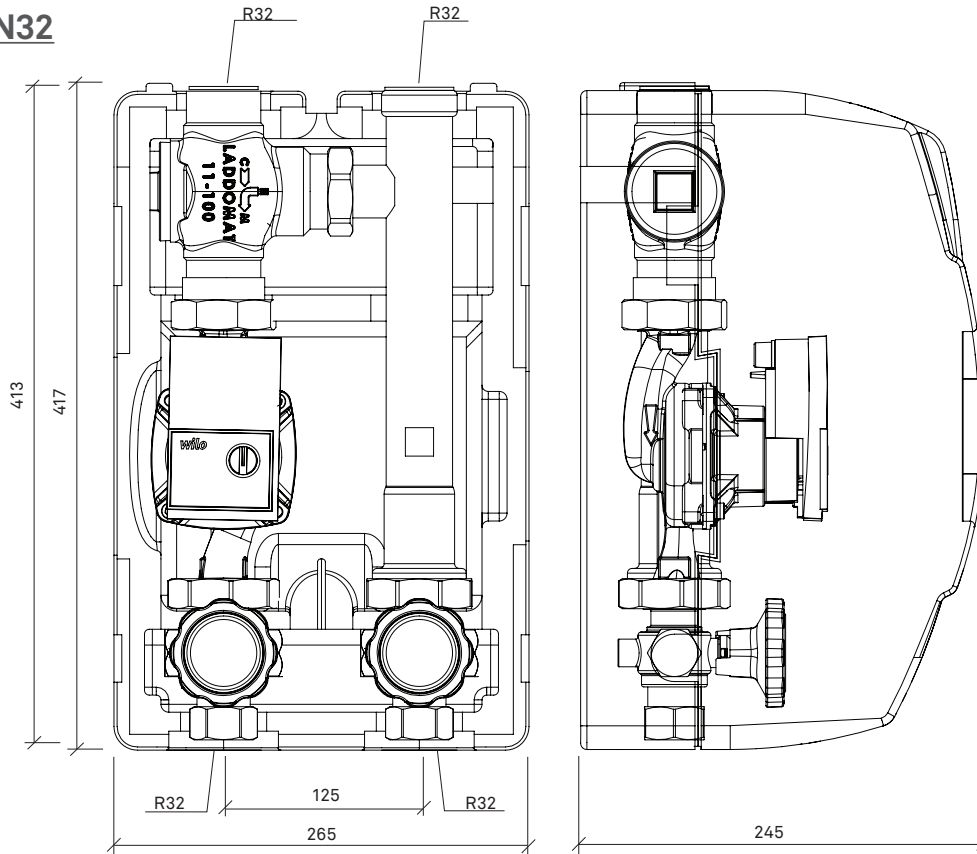
Thermal valve:	<b>Laddomat 11-100</b>
Thermostat cartridge:	45°, 53°, 57°, 63°, 66°, 72°, 78°, 83° or 87°C
Pump:	7,5 m, 180 mm
Connections:	R32
Max boiler output:	<b>95 kW</b>

## Dimensions and connections

### DN25



### DN32



**Accessories**  
See separate brochure.