

XXL

For large waterborne
heating systems.



Termoventiler
sustainable energy solutions

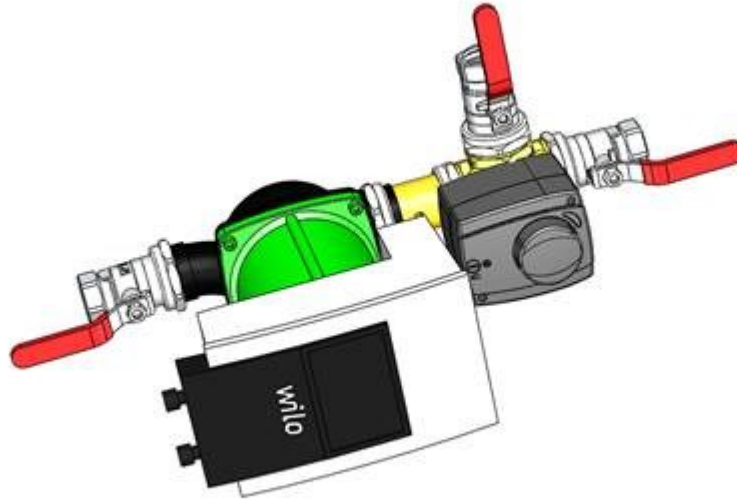


Table of Contents

Page 4-5	Motorized mixing unit DN32, max 260kW at ΔT 20°C
Page 6-7	Motorized mixing unit DN40, max 485kW at ΔT 20°C
Page 8-9	Motorized mixing unit DN65, max 800kW at ΔT 20°C
Page 10-11	Hydraulic separator
Page 12-13	Accumulator tanks
Page 14-15	Distribution units, 4H
Page 16-17	Accessories & Notes

LADDOMATIC® DN32

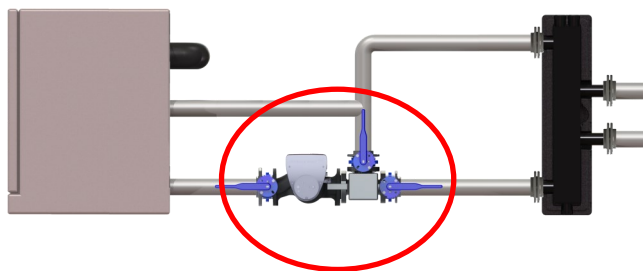
Motorized mixing and anti-condensation unit



Laddomatic is a motorized mixing and anti-condensation unit for boilers.

It is pre-assembled and tested to meet market needs.

- Laddomatic is easy to install and is designed to keep accurate set return temperature to the boiler. This protects the boiler from corrosion and tarring which prolongs the boiler life span considerably.
- Laddomatic increases boiler efficiency by ensuring that the correct operating temperature is quickly achieved.



Technical data

Pump:	Wilo Yonos Para HF 0,5-12m
Flow characteristics:	Linear/ Kvs 18
Connection:	Rp 1 1/4"
Weight:	12kg
Max boiler effect:	See diagram
Actuator choice:	Thermomatic TVM , actuator for rotating mixing valves. Thermomatic CC , constant regulator for rotating mixing valves.

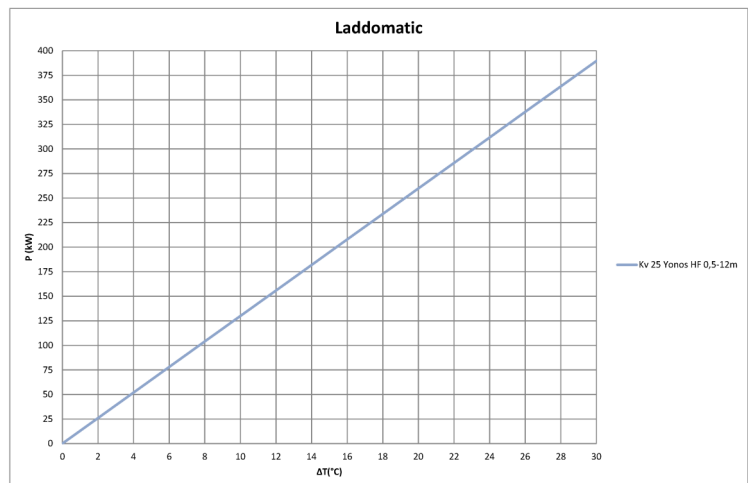
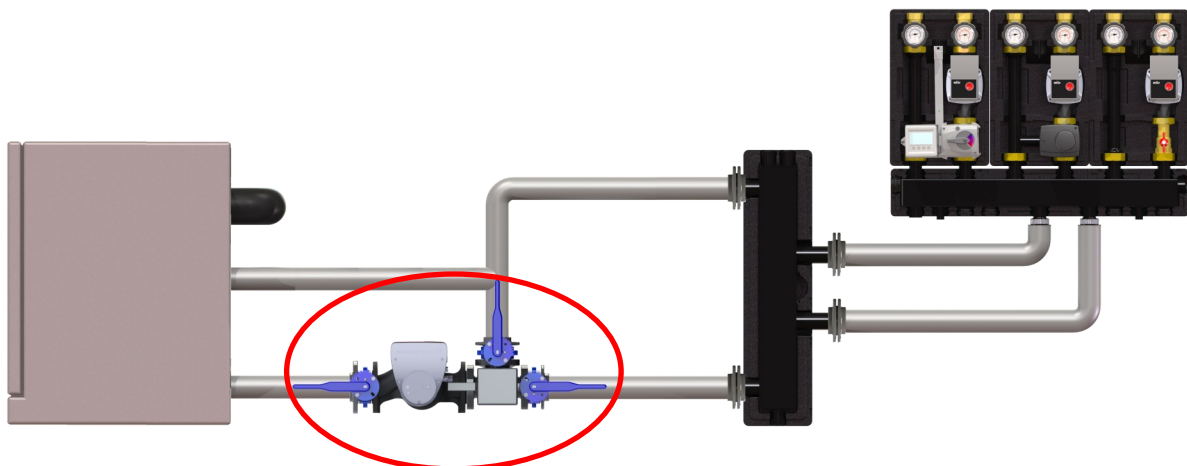
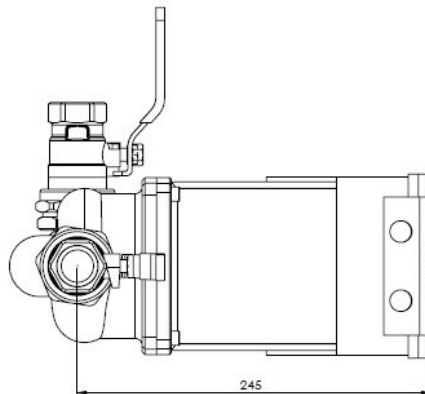
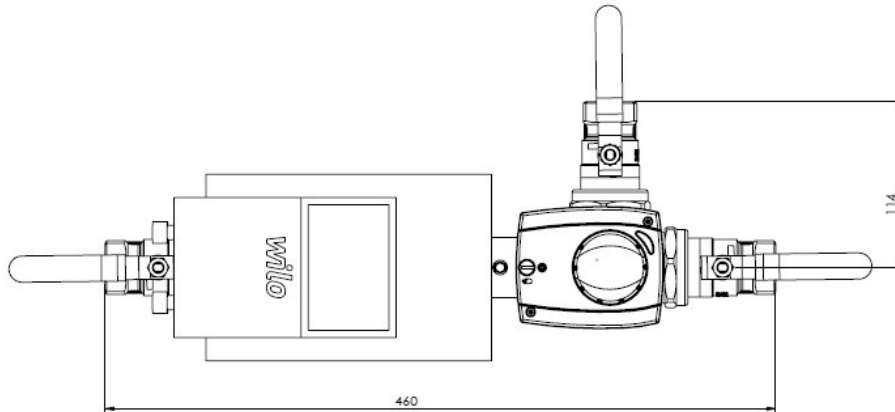


Diagram is regardless of the system pressure drop and boiler type.

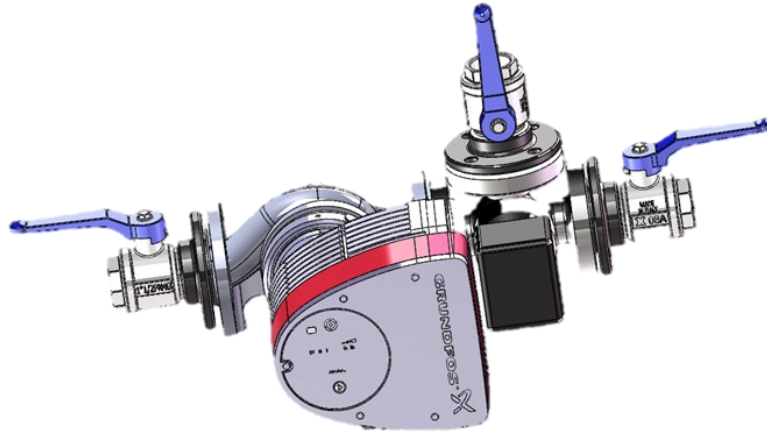
Product drawings (mm):



Application example

LADDOMATIC® DN40

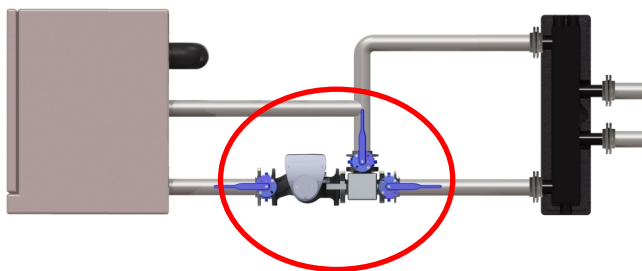
Motorized mixing and anti-condensation unit



Laddomatic is a motorized mixing and anti-condensation unit for boilers.

It is pre-assembled and tested to meet market needs.

- Laddomatic is easy to install and is designed to keep accurate set return temperature to the boiler. This protects the boiler from corrosion and tarring which prolongs the boiler life span considerably.
- Laddomatic increases boiler efficiency by ensuring that the correct operating temperature is quickly achieved.



Technical data

Pump:	Grundfos Magna 1 or 3
Flow characteristics:	Linear/ Kvs 25
Connection:	Rp 1 1/2"
Weight:	36kg
Max boiler effect:	See diagram
Actuator choice:	Thermomatic TVM , actuator for rotating mixing valves. Thermomatic CC , constant regulator for rotating mixing valves.

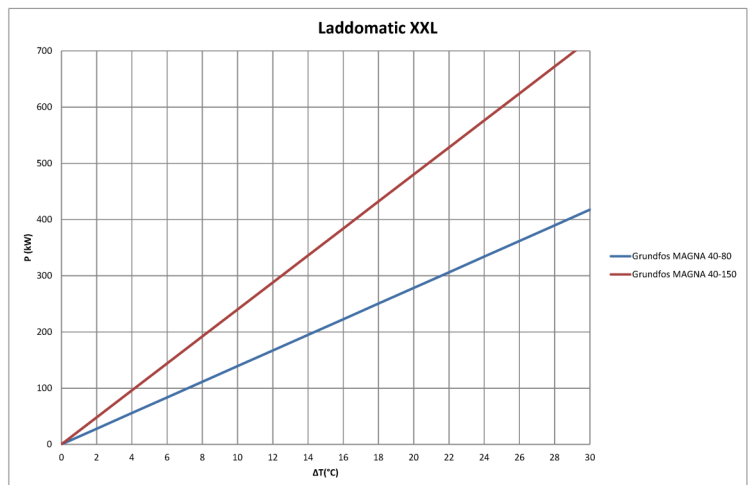
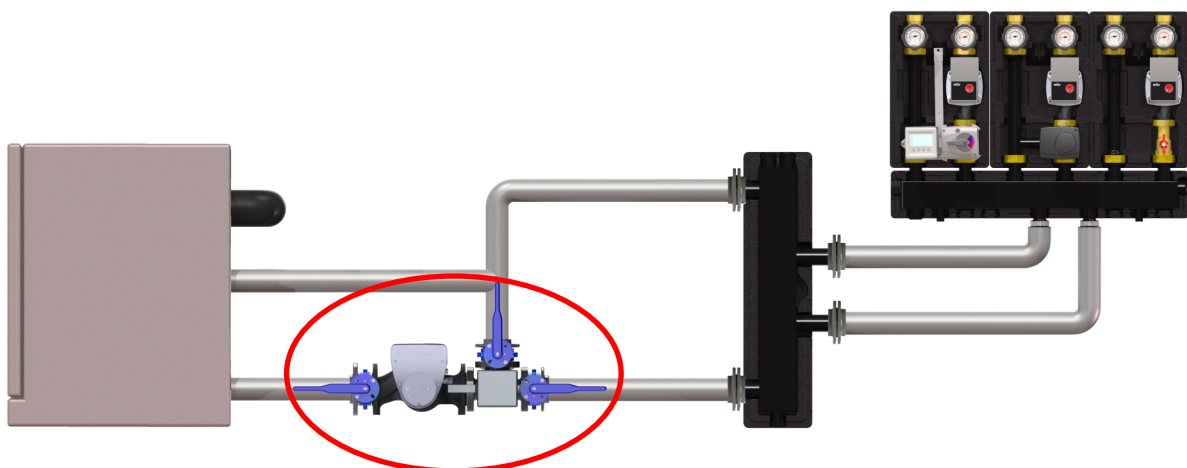
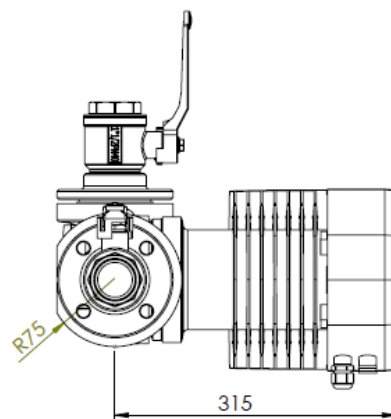
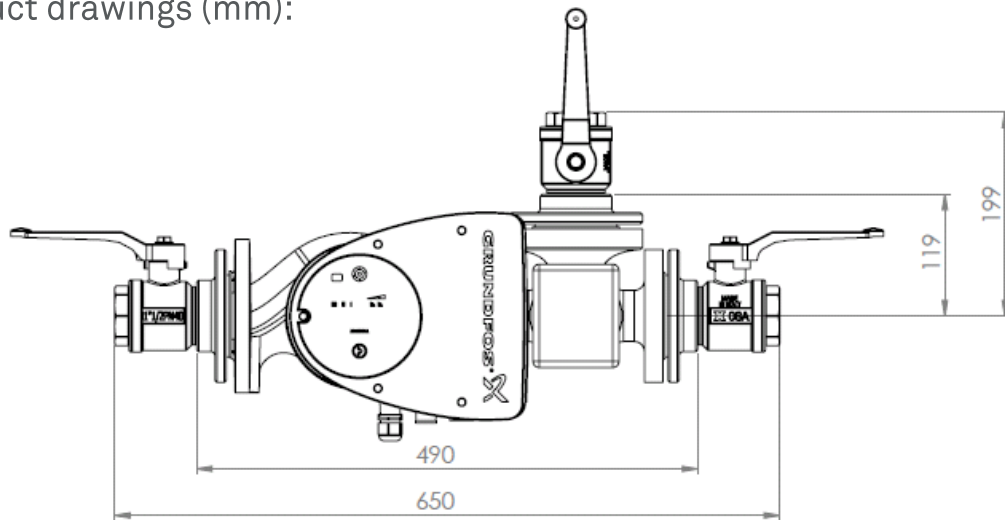


Diagram is regardless of the system pressure drop and boiler type.

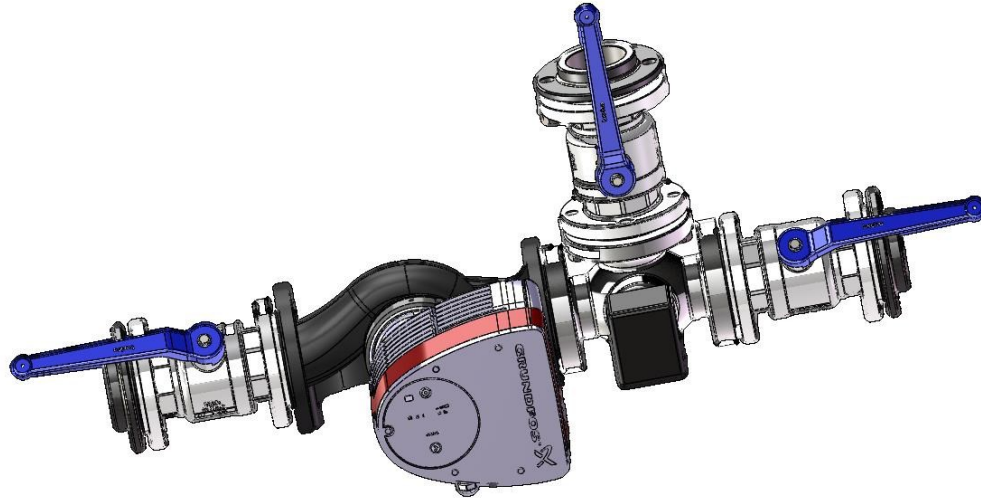
Product drawings (mm):



Application example

LADDOMATIC® DN65

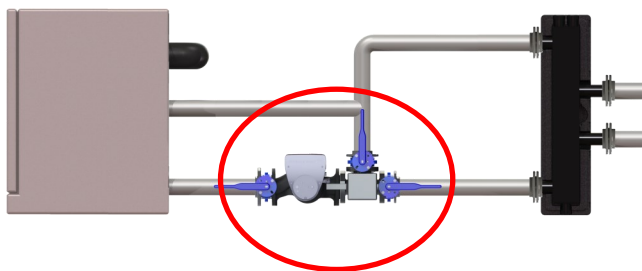
Motorized mixing and anti-condensation unit



Laddomatic is a motorized mixing and anti-condensation unit for boilers.

It is pre-assembled and tested to meet market needs.

- Laddomatic is easy to install and is designed to keep accurate set return temperature to the boiler. This protects the boiler from corrosion and tarring which prolongs the boiler life span considerably.
- Laddomatic increases boiler efficiency by ensuring that the correct operating temperature is quickly achieved.



Technical data

Pump:	Grundfos Magna 1 or 3
Flow characteristics:	Linear/ Kvs 63
Connection:	DN65 Flange or Rp 2 1/2"
Weight:	71 kg
Max boiler effect:	See diagram
Actuator choice:	Thermomatic TVM , actuator for rotating mixing valves. Thermomatic CC , constant regulator for rotating mixing valves.

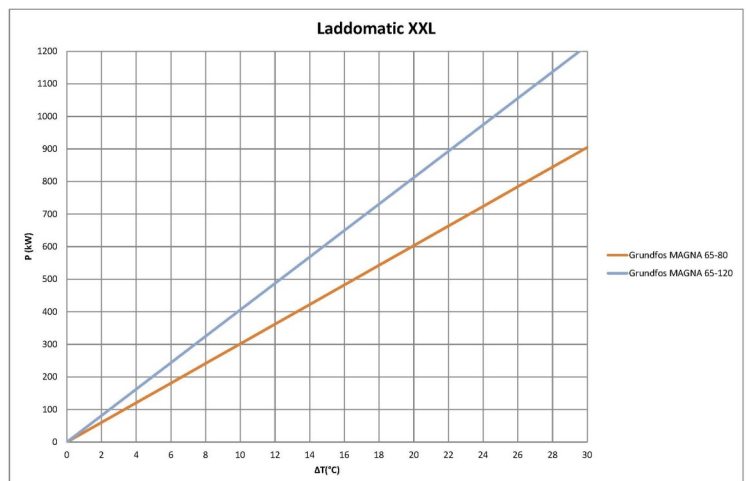
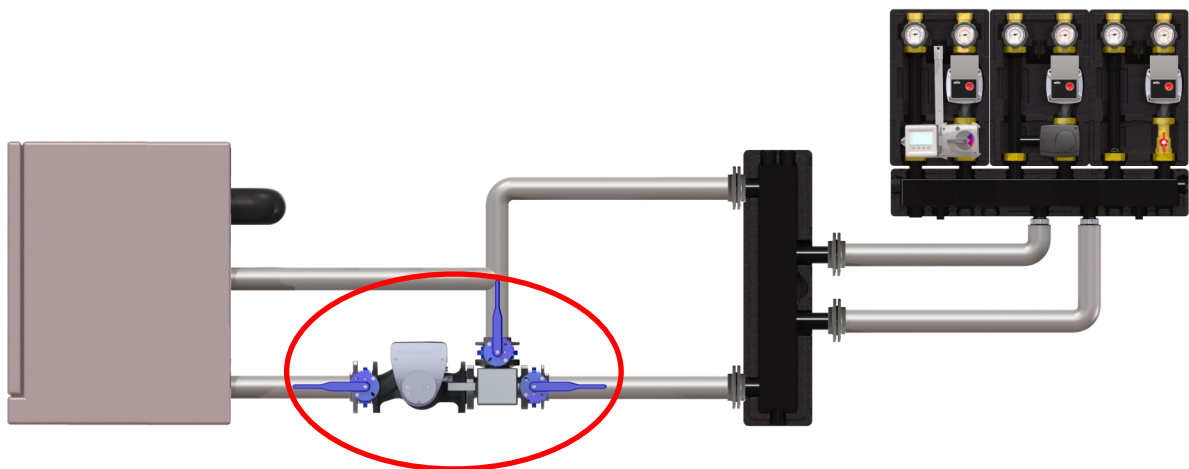
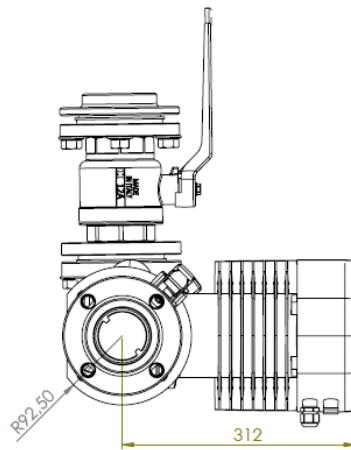
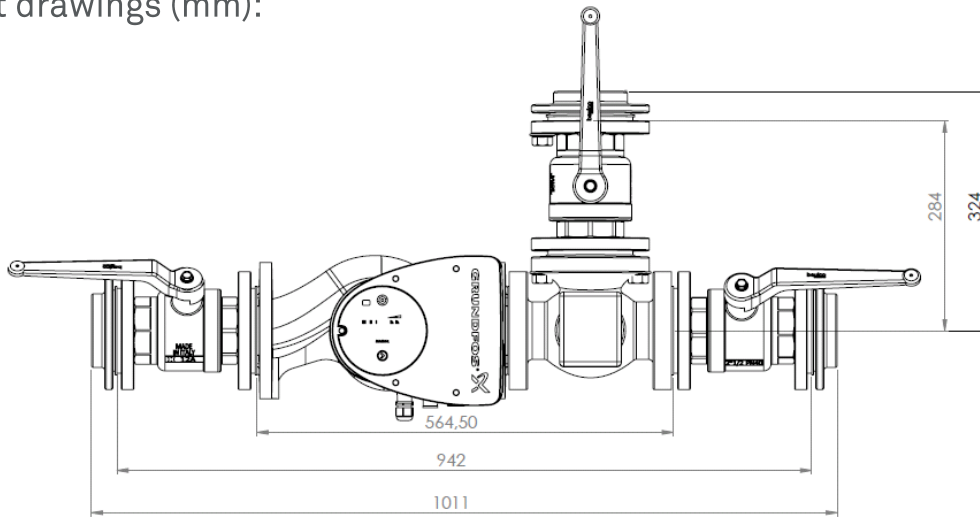


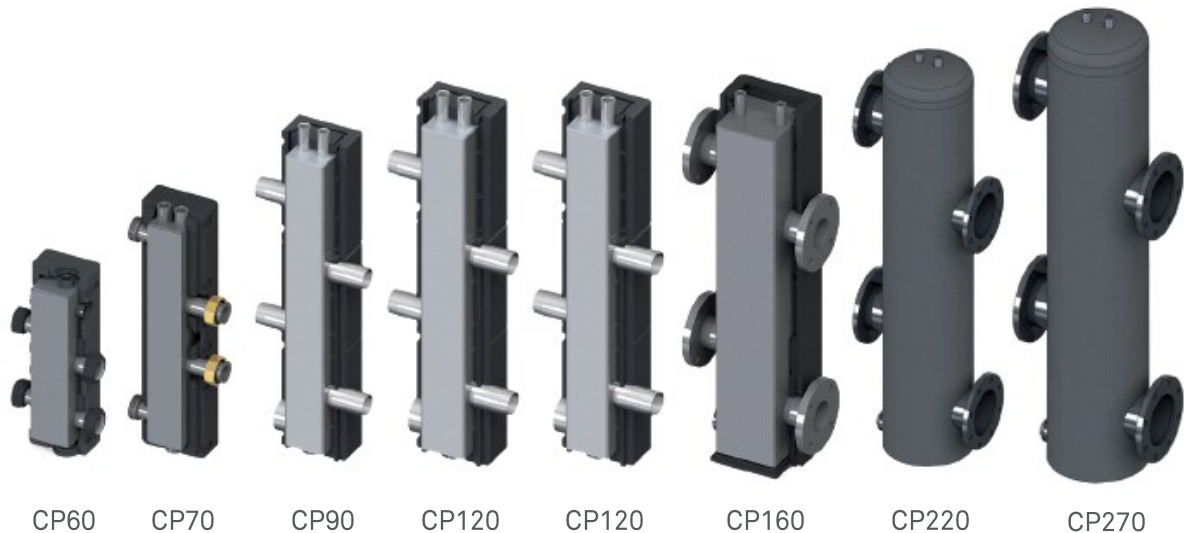
Diagram is regardless of the system pressure drop and boiler type.

Product drawings (mm):



Application example

Hydraulic Separators



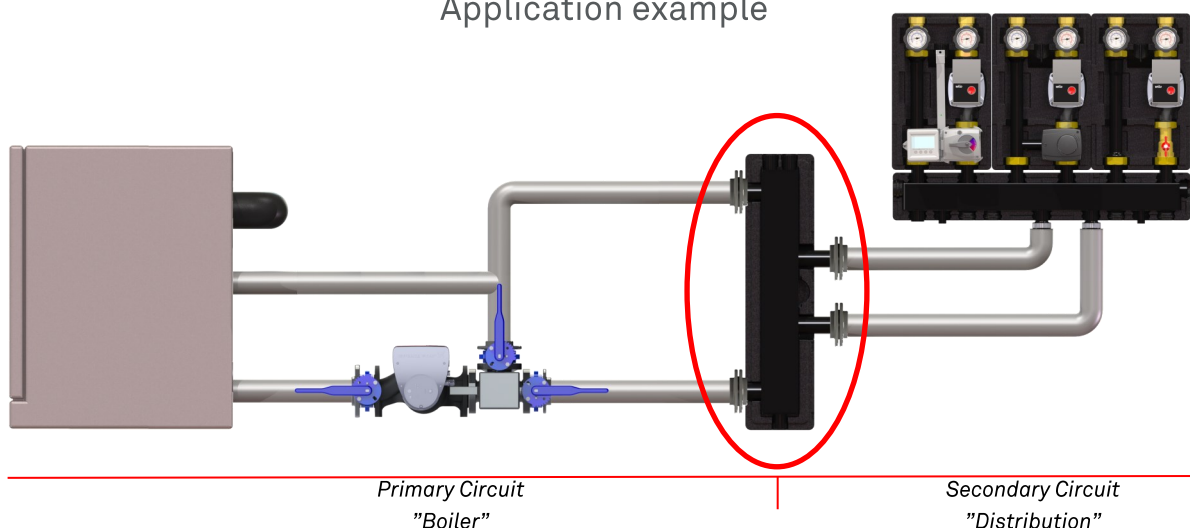
Hydraulic Separator is installed when the primary circuit circulator interacts with one or more secondary circuit circulators in the same system.

The Hydraulic Separator avoid problems relating to flow rate variations and circuits prevalence.

The Hydraulic Separator also acts as an air separator.

- Separating primary and secondary circuit
- Maintaining independent mass flow in the primary circuit and the secondary circuit
- Eliminating flow rate balancing in the primary circuit and the secondary circuit

Application example



Hydraulic Separators - principle of operation

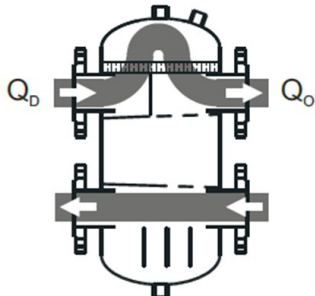


Fig 1

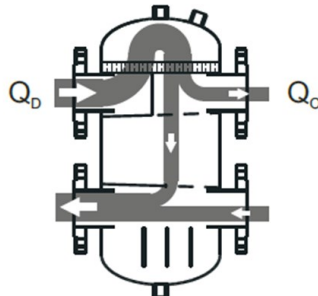


Fig 2

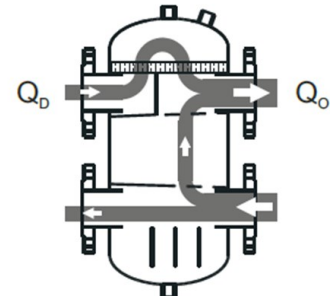


Fig 3

- Fig 1 - The volume at the heating medium return is equal to the volume at the heating system inlet. The quantity of heat delivered Q_D is equal to the quantity of heat received Q_O .
- Fig 2- With the heating system control valves closed due to a reduced heat demand Q_O , part of the stream flows along the hydraulic separator. The excess heat Q_D is returned and indicates that the boiler power should be reduced or the boilers stopped.
- Fig 3 - If the heat demand Q_O is higher than the boiler power Q_D , the heating system pumps force the return stream suction. It reduces the temperature of the heating circuit supply stream. It indicates that the power should be increased or another boiler activated.

Technical data:

Modell		CP60	CP70	CP90	CP120	CP120	CP160	CP220	CP270	
Dimension		DN20	DN25	DN32	DN50	DN65	DN65	DN100	DN150	
Flow rate	m ³ /h	1.7	2.5	6.5	9.5	18	18	30	50	
Capacity	l	0.7	1.9	4.8	11	11	21	46	81	
Max. Temperature	°C	110	110	110	110	110	100	100	100	
Max. Pressure	bar	6	6	6	6	6	6	6	6	
Recommended Boiler Output	kW		60	150	225	450	450	700	1150	
Raw material		Steel ST37.1								
Insulation		EPP Black						Tracellen C-EN5F13		

Accumulator tanks



Efficient storage of thermal energy in waterborne heating systems.

MATERIAL

Mild steel construction with exterior paint. No anti-corrosion treatment required due to the buffer's closed circuit system.

Insulation

Soft polyester fleece, 100% made of recyclable material, with high thermal insulation.

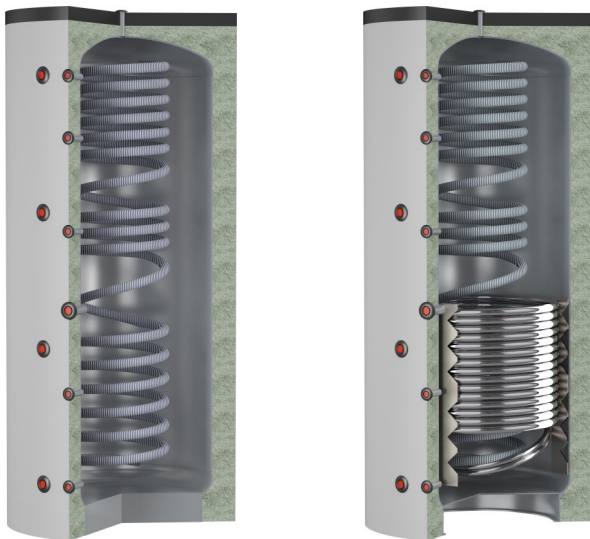
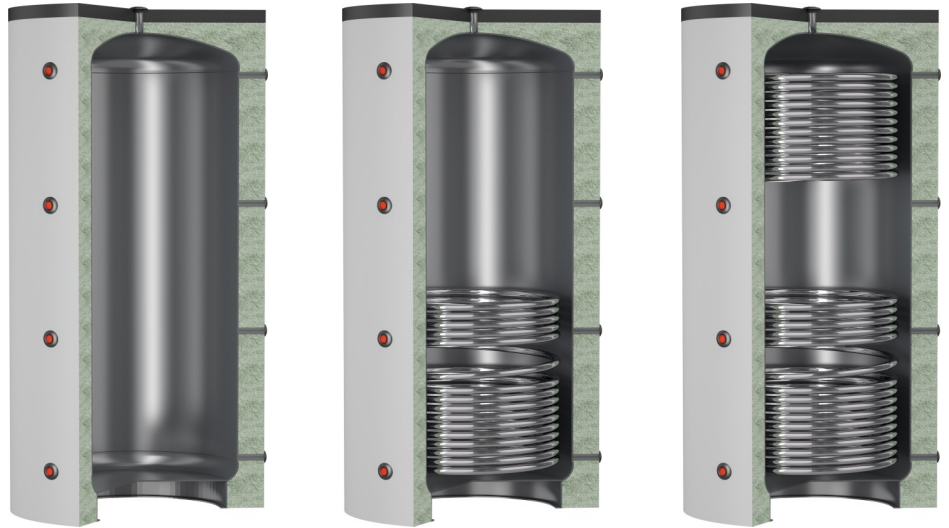
Fire resistance class B-s2d0 according to EN 13501(B1 according to DIN 4102).

Grey PVC external lining with top cover.



Puffer-series

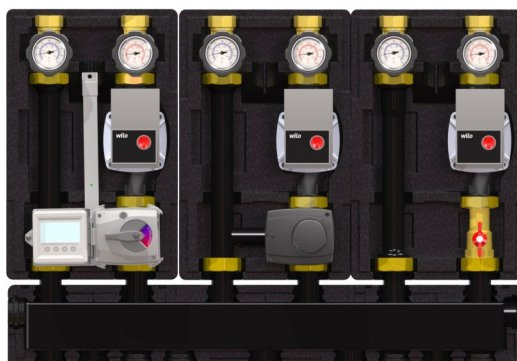
Buffer tank with or without heat exchangers.



Eco Combi –series

Tank with DHW coil and with or without heat exchangers.

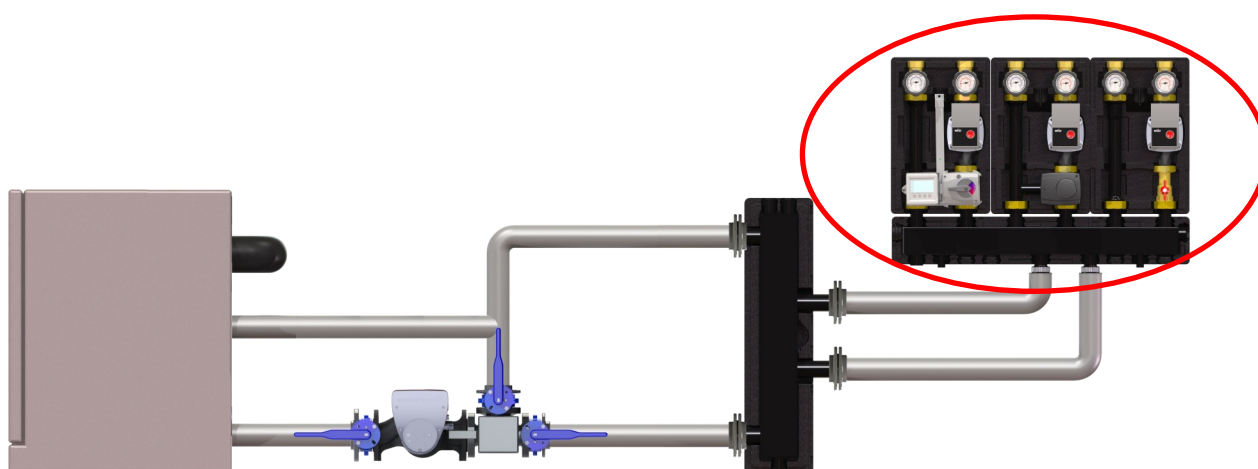
Distribution units, 4H Groups



Complete, insulated package solutions in standard dimensions, to facilitate installation of heating systems on the secondary circuit.

Thermomatic is a range of complete distribution groups with the mixing operation for both heating and cooling applications. The range is based on our reliable mixing valves and our renowned Thermomatic range.

Laddomat Pump unit is a device for direct supply of heating or cooling.



4H, Thermomatic
Choice of Actuators:
Thermomatic EC Home
Thermomatic CC
Thermomatic TVM



4H, Pump Unit



4H, Manifold



Accessories

Check valve



Dirt filter



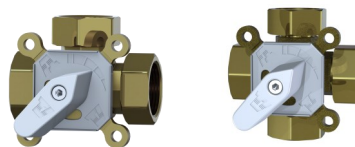
Automatic air vent



Immersion heater 6kW



Mixing valves



Circulation-/Radiator pumps 6m



For all other products, see Main catalogue.

Notes



Termoventiler

sustainable energy solutions





Termoventiler AB
Nolhagavägen 12
SE-523 93 Marbäck
Sweden
Tel. +46 (0) 321 261 80
info@termoventiler.se

TV Termoventiler GmbH
Chemnitzer Straße 71
DE-09212 Limbach-Oberfrohna
Germany
Tel. +49 (0) 3722 50 57 00
info@termoventiler.de



termoventiler.se